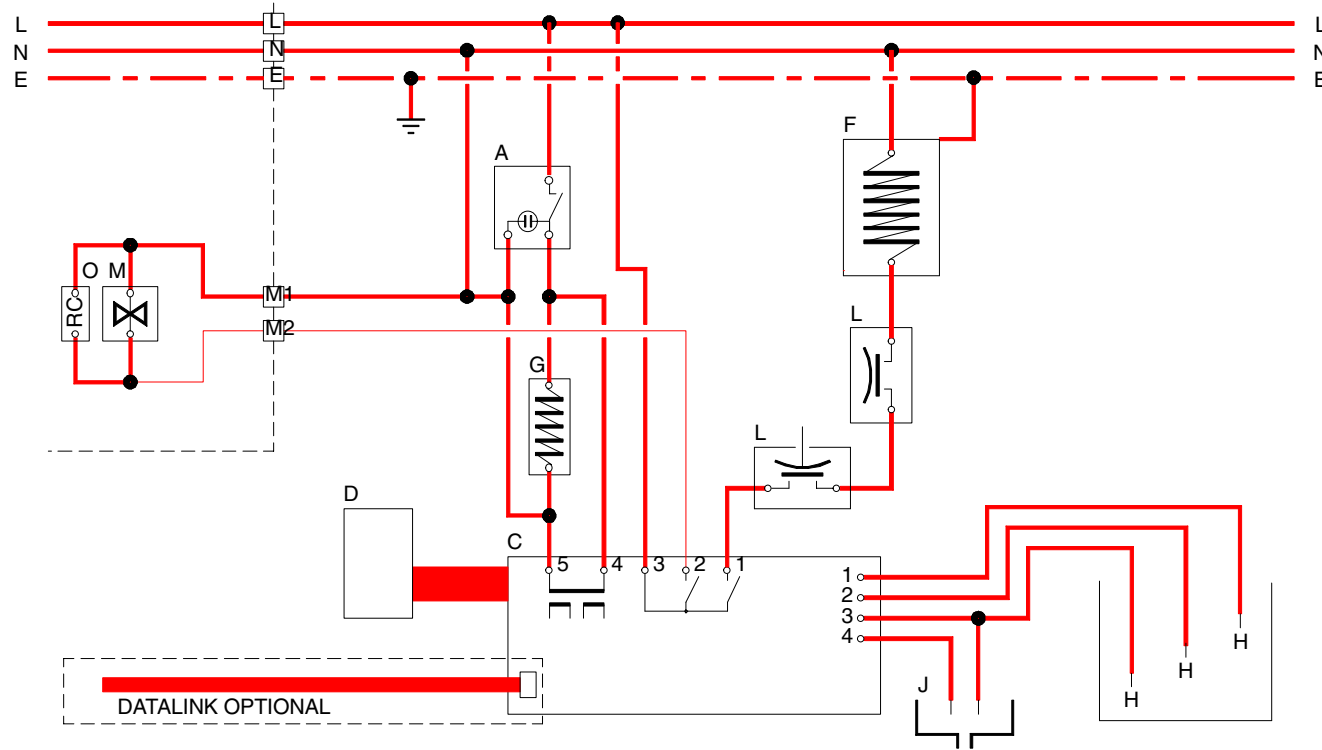


RLX module 5 (GB/IRL)



700.406.605A

- A. Switch
- C. Print
- D. Keyboard
- F. Flow boiler
- G. PTC element
- H. Electrode
- J. Water spreader
- L. High temperature safety
- M. Magnetic valve
- O. RC